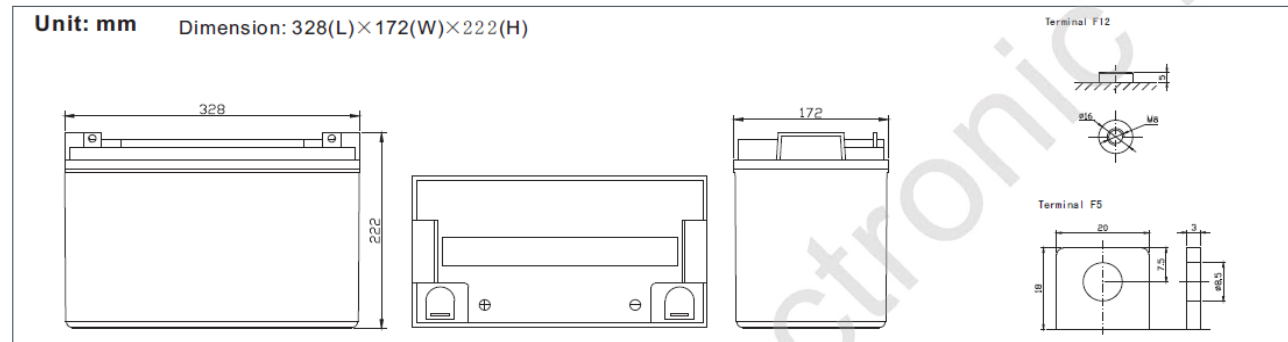


MODEL :PEC 12-100

PE12-100 is a general purpose battery with 10 years floating design life, meet with IEC, JIS .BS and Eurobat standard. With heavy duty grid, thickness plates, special additives, PE series battery have long and reliable standby service life. Our PE Series batteries keep high consistent for better performance in series



Dimensions



Specification

Capacity: 100Ah@10hr-rate to 1.80V per cell @25°C

Voltage	12V
Weight	Approx.30.0 Kg
Max. Discharge Current	1000A (5 sec)
Internal Resistance	Approx. 5mΩ
Operating Temperature Range	Operation(maximum) : -20 to 55°C
	Operation(recommended) 20 to 30°C
	Storage : -20 to 40°C
Self Discharge	less than 3%per month@25° C

Maintenance

Float Charging Voltage:13.6 to 13.8 V@25°C

Equalization and Cycle service voltage	14.6 to 14.8 V@25°C
Temp.compensate coefficient:	-3mV/°C/cell
Maximum charge current:	30A
Every three months, recommend equalization charge	

Constant Current Discharge Characteristics: A (25°C)

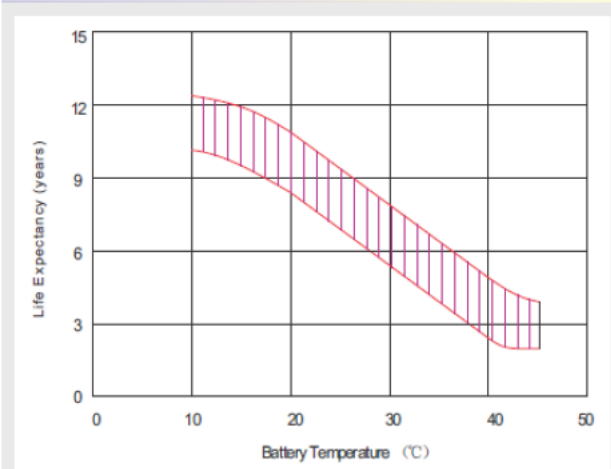
F.V/Time	5MIN	10MIN	15MIN	30MIN	1HR	2HR	3HR	4HR	5HR	8HR	10HR	20HR
9.60V	320.7	226.9	181.4	112.7	65.00	38.89	26.88	22.03	18.03	12.42	10.50	5.777
10.0V	311.4	215.8	177.7	110.8	64.70	38.60	26.78	21.93	17.93	12.32	10.40	5.672
10.2V	302.2	208.2	174.9	109.8	64.10	38.31	26.57	21.83	17.82	12.22	10.30	5.567
10.5V	271.3	192.1	166.5	107.1	63.50	38.02	26.47	21.62	17.61	12.12	10.20	5.462
10.8V	244.9	175.2	153.5	102.4	62.00	37.33	25.75	21.11	17.29	11.92	10.10	5.357
11.1V	209.1	156.6	137.7	95.91	58.90	35.68	24.62	20.09	16.55	11.41	9.796	5.041

Constant Power Discharge Characteristics: W(25°C)

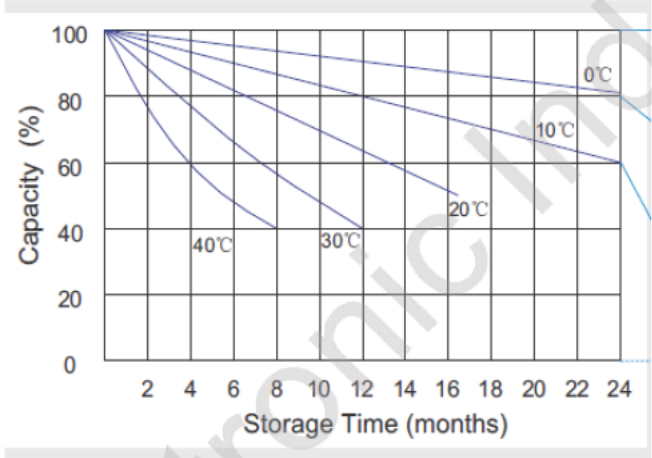
F.V/Time	5MIN	10MIN	15MIN	30MIN	1HR	2HR	3HR	4HR	5HR	8HR	10HR	20HR
9.6 V	3317	2416	1996	1284	751.1	458.4	319.9	262.6	215.1	148.3	125.5	69.26
10.0V	3251	2342	1964	1269	749.3	456.0	320.0	262.3	214.6	147.6	124.7	68.06
10.2V	3214	2280	1941	1260	743.5	453.3	318.6	261.7	213.9	146.6	123.6	66.80
10.5V	2926	2123	1852	1230	736.8	450.0	317.4	259.3	211.3	145.4	122.4	65.54
10.8V	2665	1957	1712	1179	723.2	444.2	308.7	253.4	207.5	143.0	121.2	64.28
11.1V	2341	1770	1541	1108	692.3	427.7	295.4	241.1	198.6	136.9	117.6	60.50

MODEL :PEC 12-100

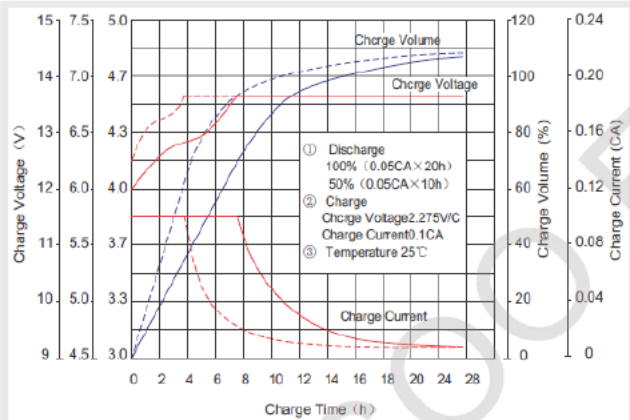
Effect of temperature on float life time



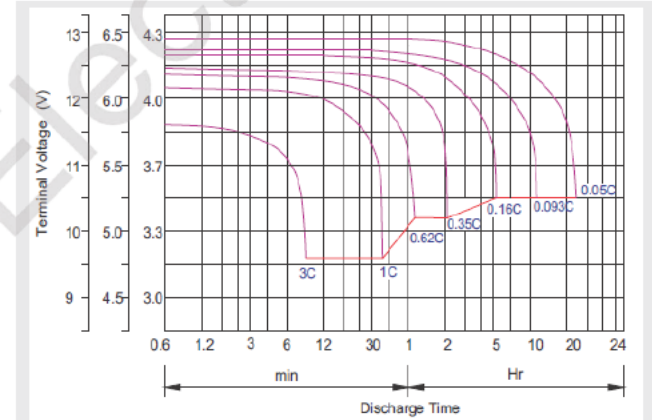
Storage characteristic



Charge characteristic Curve for standby use



Discharge characteristic Curve



Capacity Factors at Different Temperature

-20°C	-10°C	0°C	5°C	10°C	20°C	25°C	30°C	40°C	45°C
46%	66%	76%	83%	90%	98%	100%	103%	107%	109%

Equalization charge method:

First charge the batteries,

then charge the batteries with constant voltage of 2.45V/cell, the time of equalization charge is 24 hours@25°C

Add : No, 2, Azadegan St., Ghaem-Magham-Farahani Ave., 1586736115, Tehran, IRAN

Tel :+98 21 83836 / Fax :+98 21 88102600 / After Sales Services :+98 21 83837000

WebSite : www.porsoo.ir / Email :info@porsoo.ir